

4

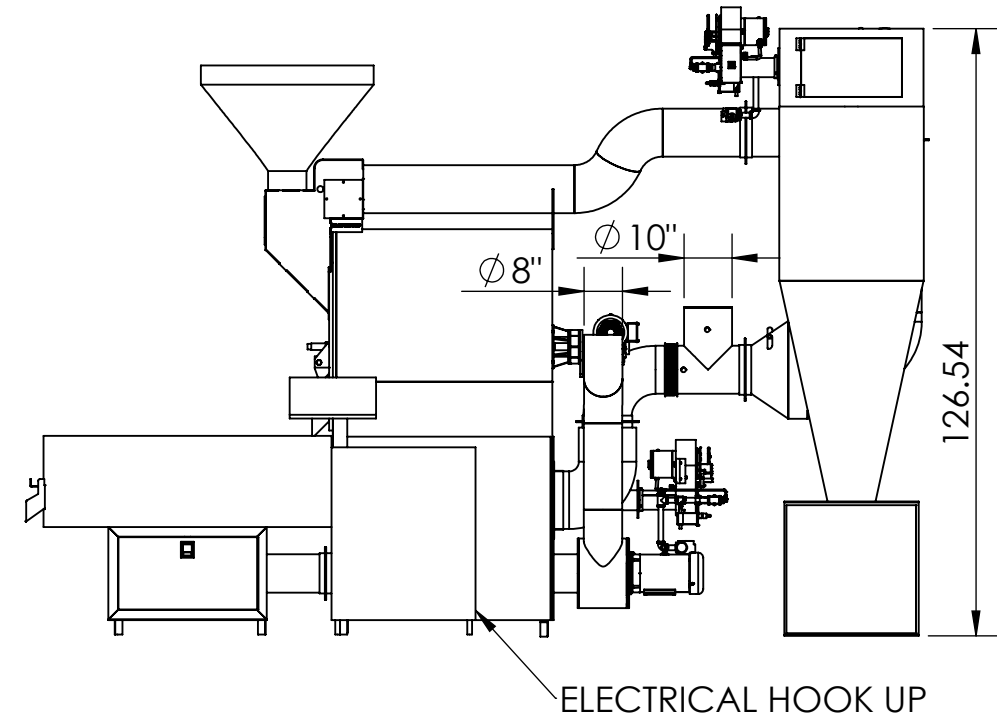
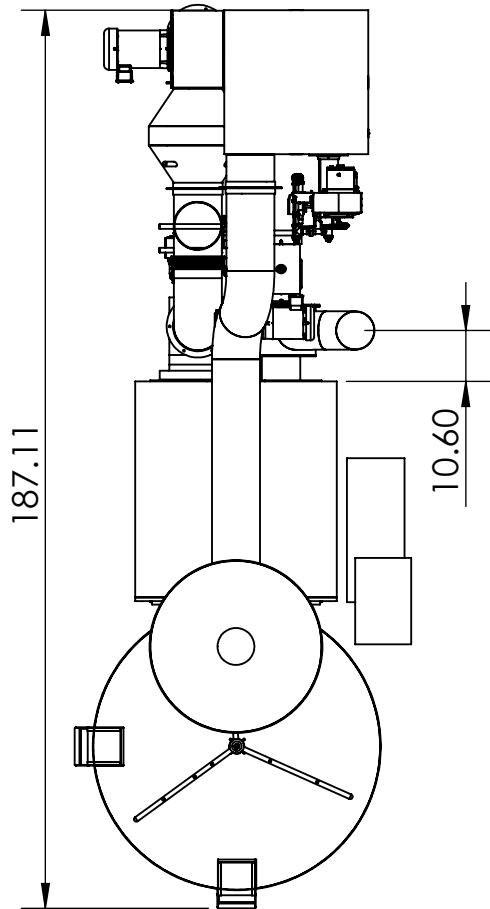
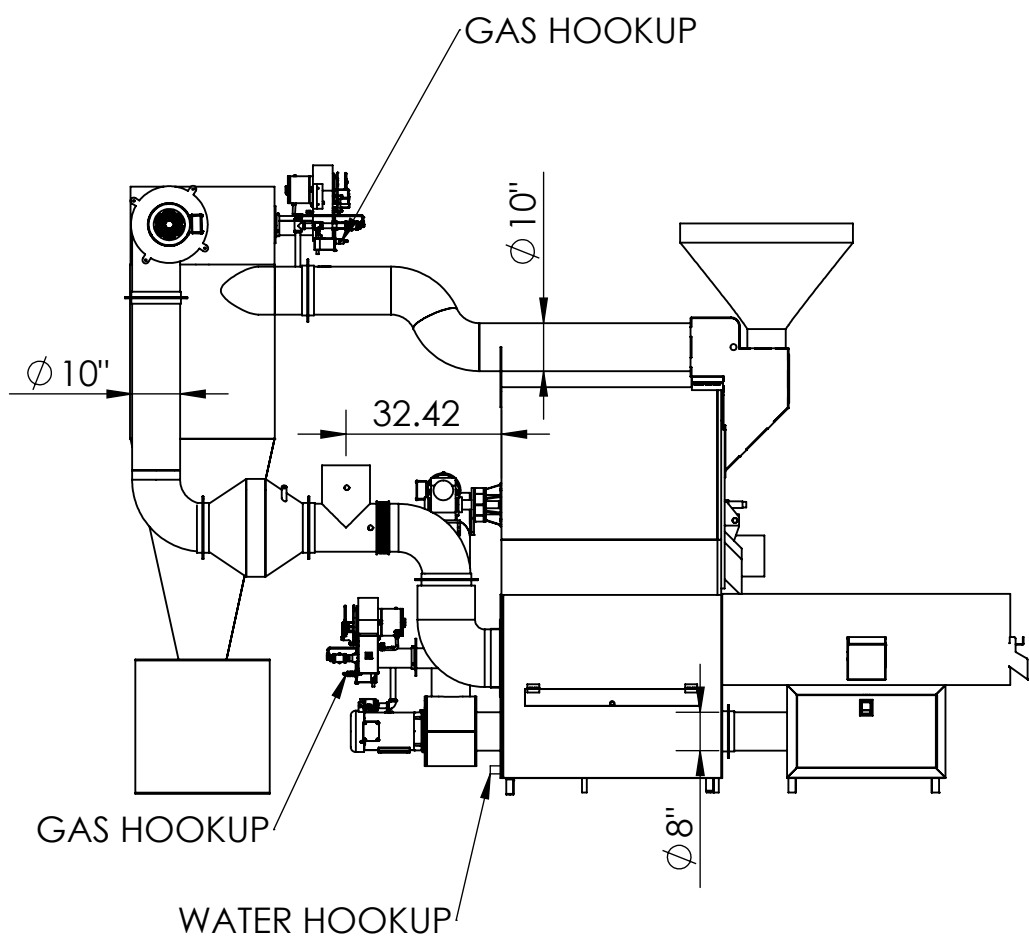
3

2

1

B

B



A

A

PROPRIETARY AND CONFIDENTIAL
 THE INFORMATION CONTAINED IN THIS DRAWING IS THE SOLE PROPERTY OF <INSERT COMPANY NAME HERE>. ANY REPRODUCTION IN PART OR AS A WHOLE WITHOUT THE WRITTEN PERMISSION OF <INSERT COMPANY NAME HERE> IS PROHIBITED.

		UNLESS OTHERWISE SPECIFIED:		NAME	DATE			
		DIMENSIONS ARE IN INCHES	DRAWN			TITLE:		
		TOLERANCES:	CHECKED					
		FRACTIONAL \pm	ENG APPR.					
		ANGULAR: MACH \pm BEND \pm	MFG APPR.					
		TWO PLACE DECIMAL \pm	Q.A.			SIZE DWG. NO. REV		
		THREE PLACE DECIMAL \pm	COMMENTS:					
		INTERPRET GEOMETRIC TOLERANCING PER:				B	70K	
		MATERIAL				SCALE: 1:40	WEIGHT:	SHEET 1 OF 1
NEXT ASSY	USED ON	FINISH						
APPLICATION		DO NOT SCALE DRAWING						

4

3

2

1