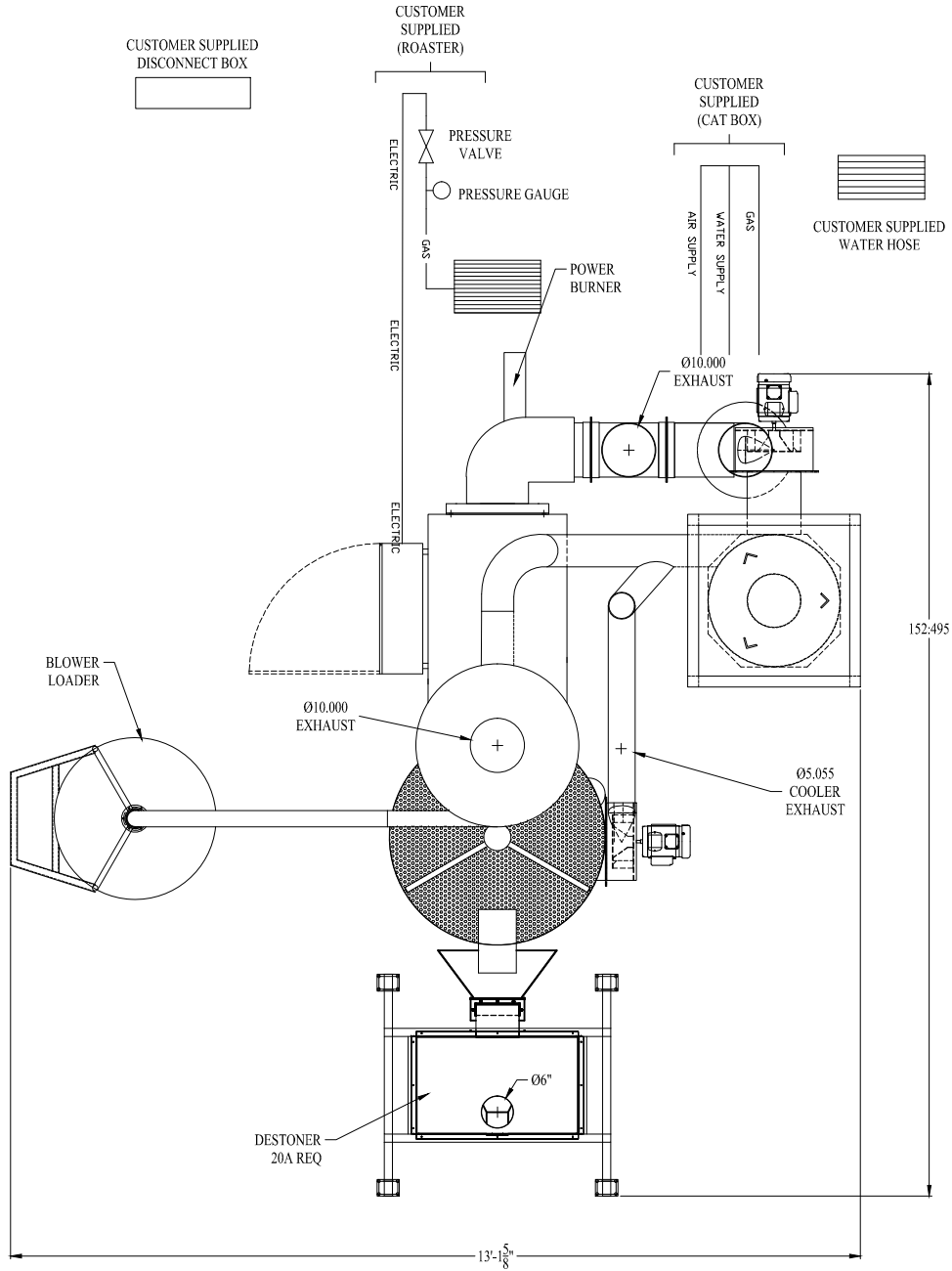


IF CONDUIT IS TO BE SUPPLIED, IT NEEDS
TO BE SUPPLIED BY A LOCAL SUPPLIER.
ZIP CONDUIT TO BE SUPPLIED BY MANUFACTURER
FOR TESTING ONLY.



35 KILO PRELIMINARY
TOP VIEW

This drawing is property of Roasters Exchange (U.S. Roaster Corp) and is intended for the sole use of the intended recipient(s). If you are not an intended recipient you should not read, copy, disclose, circulate or in any other way use this information. The information contained in this transmission may be confidential and /or privileged. If you have received this transmission in error, please notify the sender immediately and delete this transmission, including any attachments.
PRODUCT MAY BE CHANGED AT ANY TIME WITHOUT NOTICE.

A		NEW DRAWING		MW 04/29/13		SIC. - DATE		TOLERANCES: UNLESS OTHERWISE NOTED		Roasters Exchange 1330 West Main Okemond City, Ok 73106		DNR:BY MW		DATE 04/29/13		TITLE	
LET		REVISION						DECIMAL 2 Pl. ±0.15		FRACTIONAL ±1/32"		ANGULAR ± 1%		CND:BY		35 KILO REVELATION !!	
								3 Pl. ±.005				APD:BY		DATE		ROASTER ASSEMBLY	
												SCALE		NO SCALE		DRAWING NO. REXXXXXX-001A	