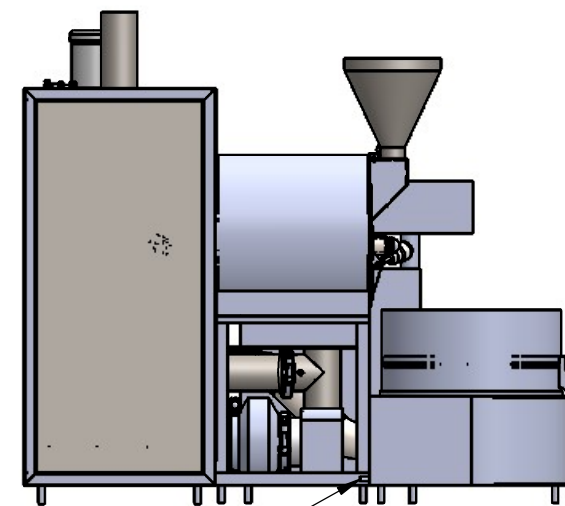
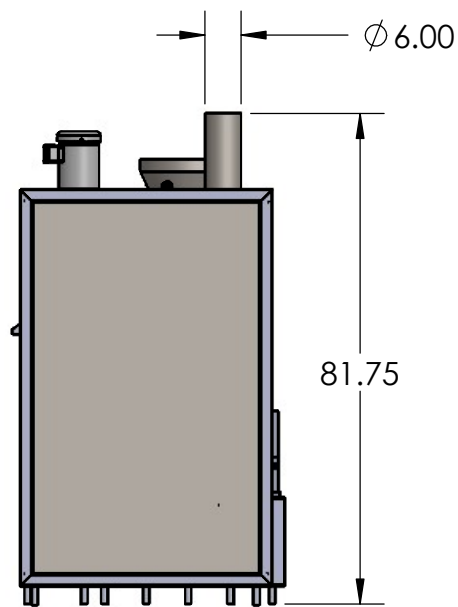
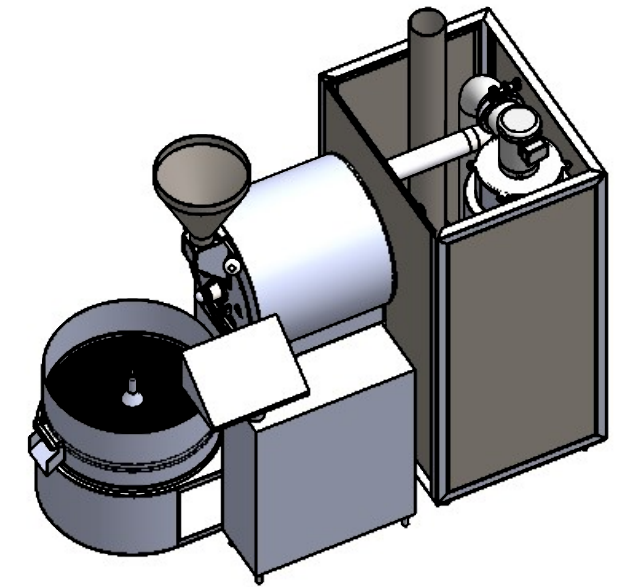
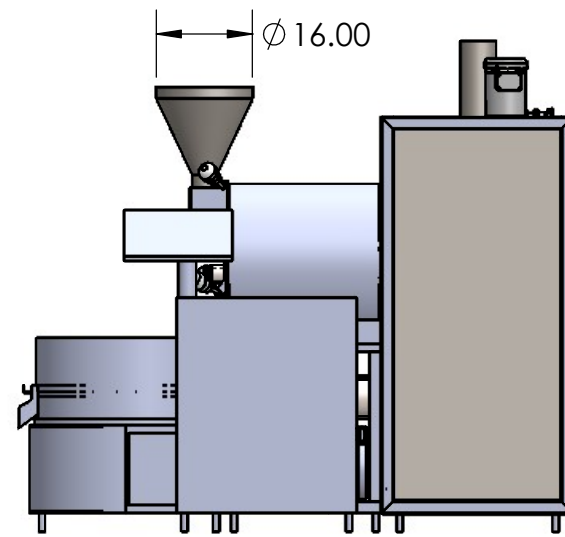
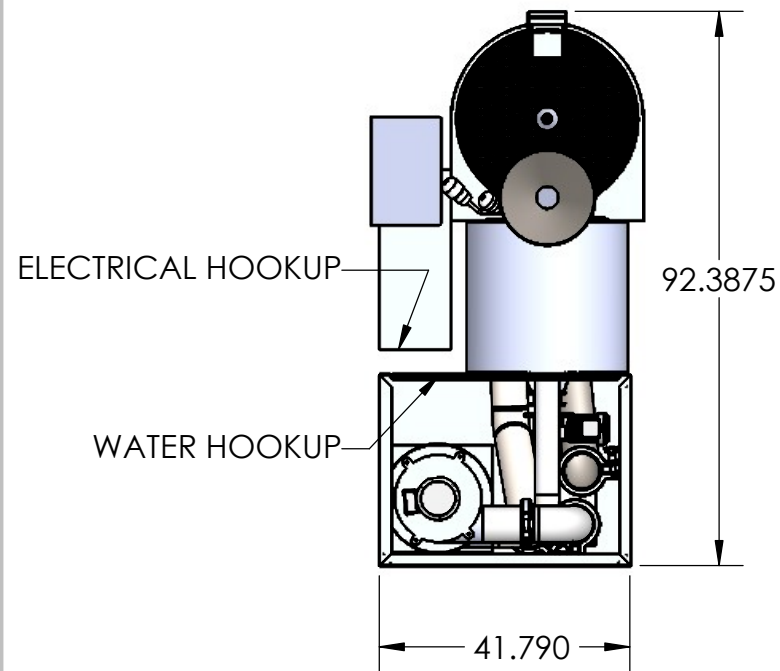


4

3

2

1



GAS HOOKUP

**PROPRIETARY AND CONFIDENTIAL**  
 THE INFORMATION CONTAINED IN THIS DRAWING IS THE SOLE PROPERTY OF U.S. ROASTER CORP. ANY REPRODUCTION IN PART OR AS A WHOLE WITHOUT THE WRITTEN PERMISSION OF <INSERT COMPANY NAME HERE> IS PROHIBITED.

		UNLESS OTHERWISE SPECIFIED:		NAME	DATE		
		DIMENSIONS ARE IN INCHES		DRAWN	SS	5/26/17	TITLE:
		TOLERANCES:		CHECKED			
		FRACTIONAL $\pm$		ENG APPR.			
		ANGULAR: MACH $\pm$ BEND $\pm$		MFG APPR.			
		TWO PLACE DECIMAL $\pm$		Q.A.			SIZE DWG. NO. REV <b>B</b> Roaster
		THREE PLACE DECIMAL $\pm$		COMMENTS:			
		INTERPRET GEOMETRIC TOLERANCING PER:					
NEXT ASSY	USED ON	MATERIAL				SCALE: 1:32	WEIGHT:
APPLICATION		FINISH				SHEET 1 OF 1	
		DO NOT SCALE DRAWING					

3

2

1