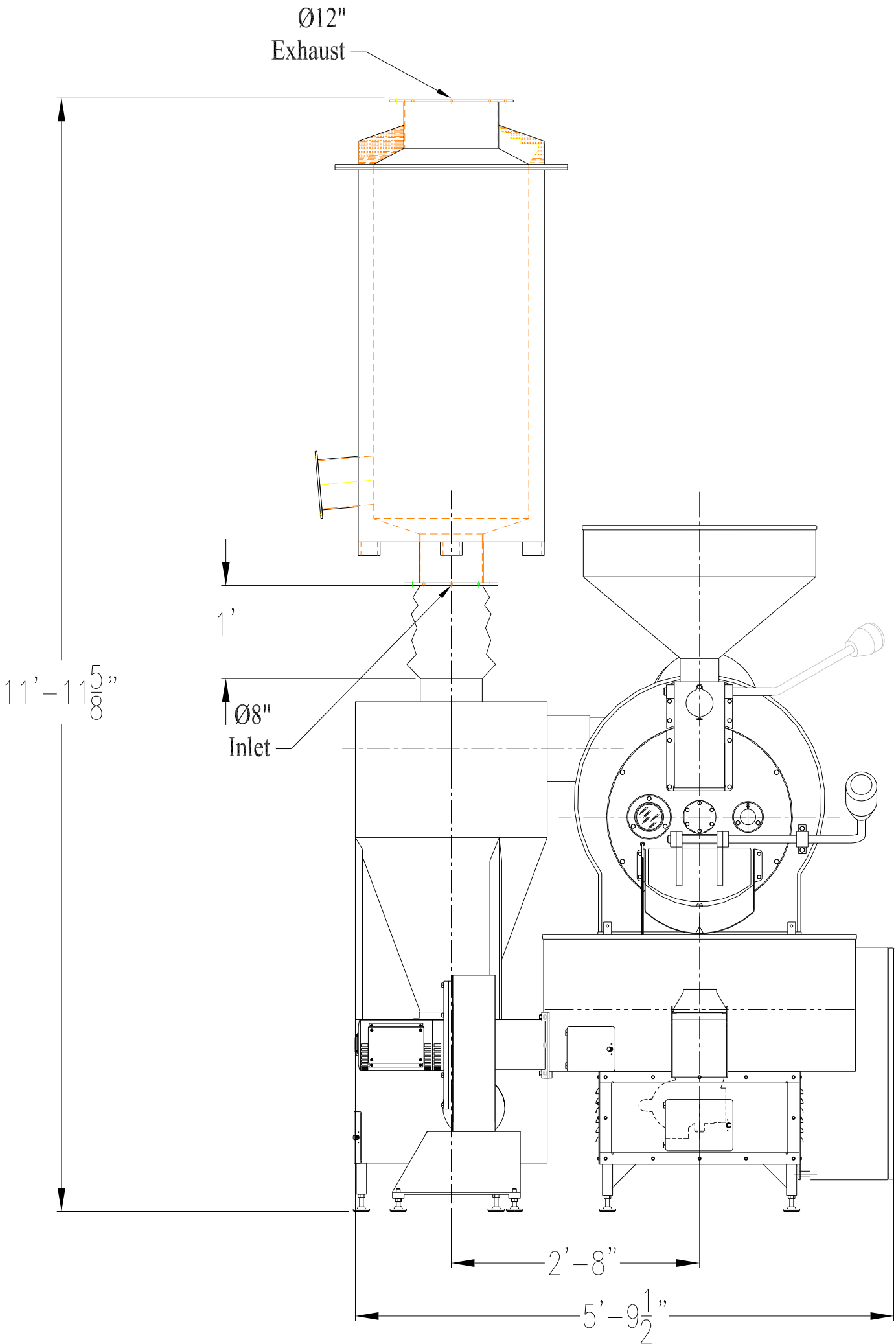


35 KILO ROASTER AND COOLER LAYOUT W/AFTERBURNER



DRAWING PROVIDED BY ROASTERS EXCHANGE
 ANY QUESTIONS OR FURTHER REQUESTS CONTACT
 DAN JOLLIFF OR RICHARD SATTER
 (405) 232-1223

TOLERANCES: UNLESS OTHERWISE NOTED		DRN.BY RLS		DATE 02/12/07		TITLE	
DECIMAL	2 PL. ±.015	CKD.BY		DATE		35 KILO ROASTER ASSEMBLY DRAWING	
FRACTIONAL	±1/32"	APP'D.BY		DATE		DRAWING NO. RE070212-000A	
ANGULAR	± 1%	SCALE	NONE				
NEW DRAWING		REVISED		DATE			
A		LET		SIG. - DATE		RLS 02/12/07	

Roasters Exchange
 1530 West Main
 Oklahoma City, Ok 73106