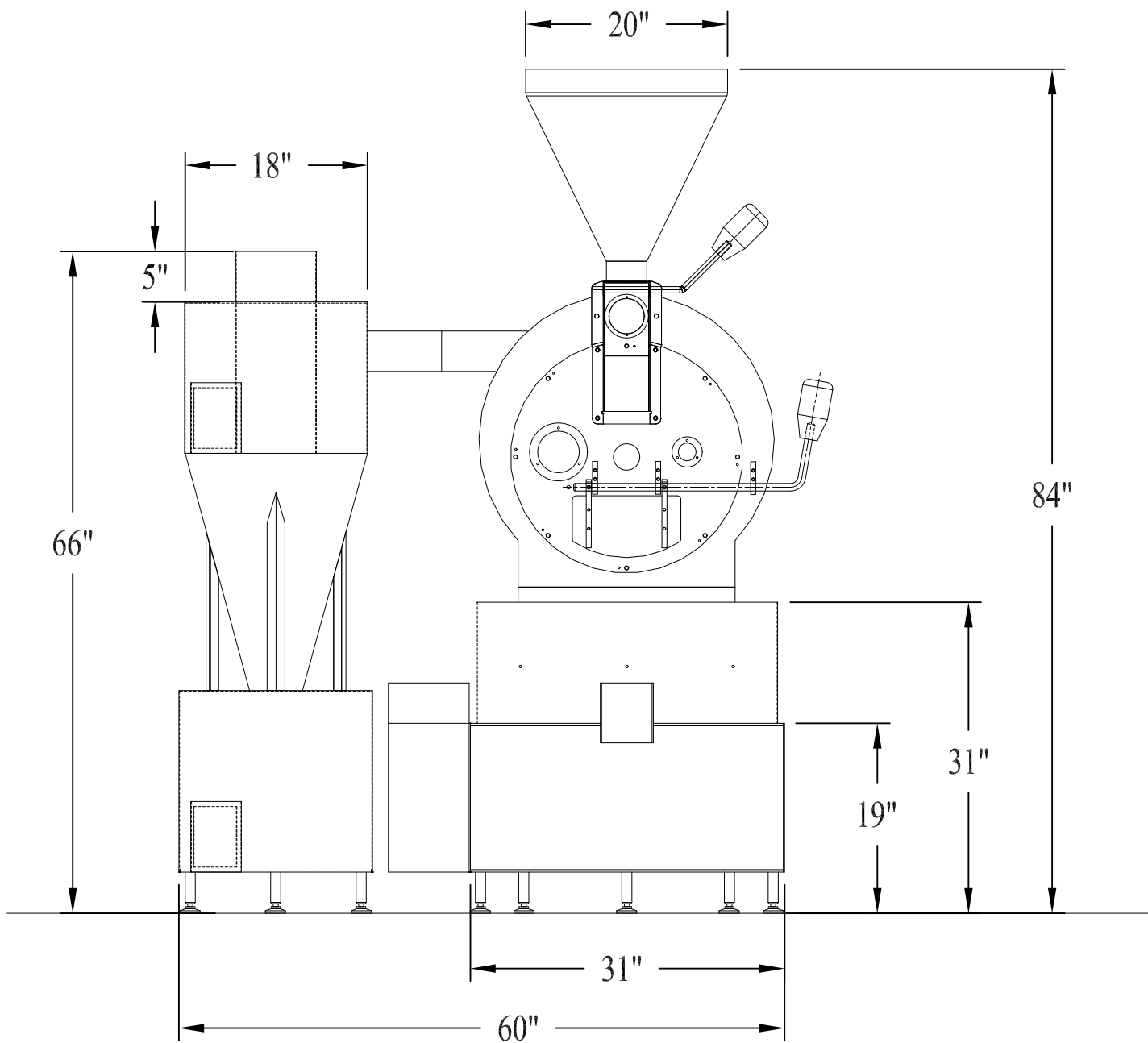


This drawing is property of Roasters Exchange (U.S. Roaster Corp) and is intended for the sole use of the intended recipient(s). If you are not an intended recipient you should not read, copy, disclose, circulate or in any other way use this information. The information contained in this transmission may be confidential and /or privileged. If you have received this transmission in error, please notify the sender immediately and delete this transmission, including any attachments.

| | | |
|-----|-------------|--------------|
| | | |
| | | |
| | | |
| A | NEW DRAWING | RLS 08/01/07 |
| LET | REVISION | SIG. - DATE |



| | | | | | | |
|------------------------------------|------------|---------|--|------------|---------------------------|---|
| TOLERANCES: UNLESS OTHERWISE NOTED | | | Roasters Exchange 1530 West Main Oklahoma City, Ok 73106 | DRN.BY RLS | DATE 08/01/07 | TITLE 23 KILO ROASTER W/ CYCLONE LAYOUT |
| DECIMAL | FRACTIONAL | ANGULAR | | CKD.BY | DATE | |
| 2 PL. ±.015 | ±1/32" | ± 1% | APPD.BY | DATE | DRAWING NO. RE23K-001A | |
| 3 PL. ±.005 | | | SCALE | NO SCALE | | |