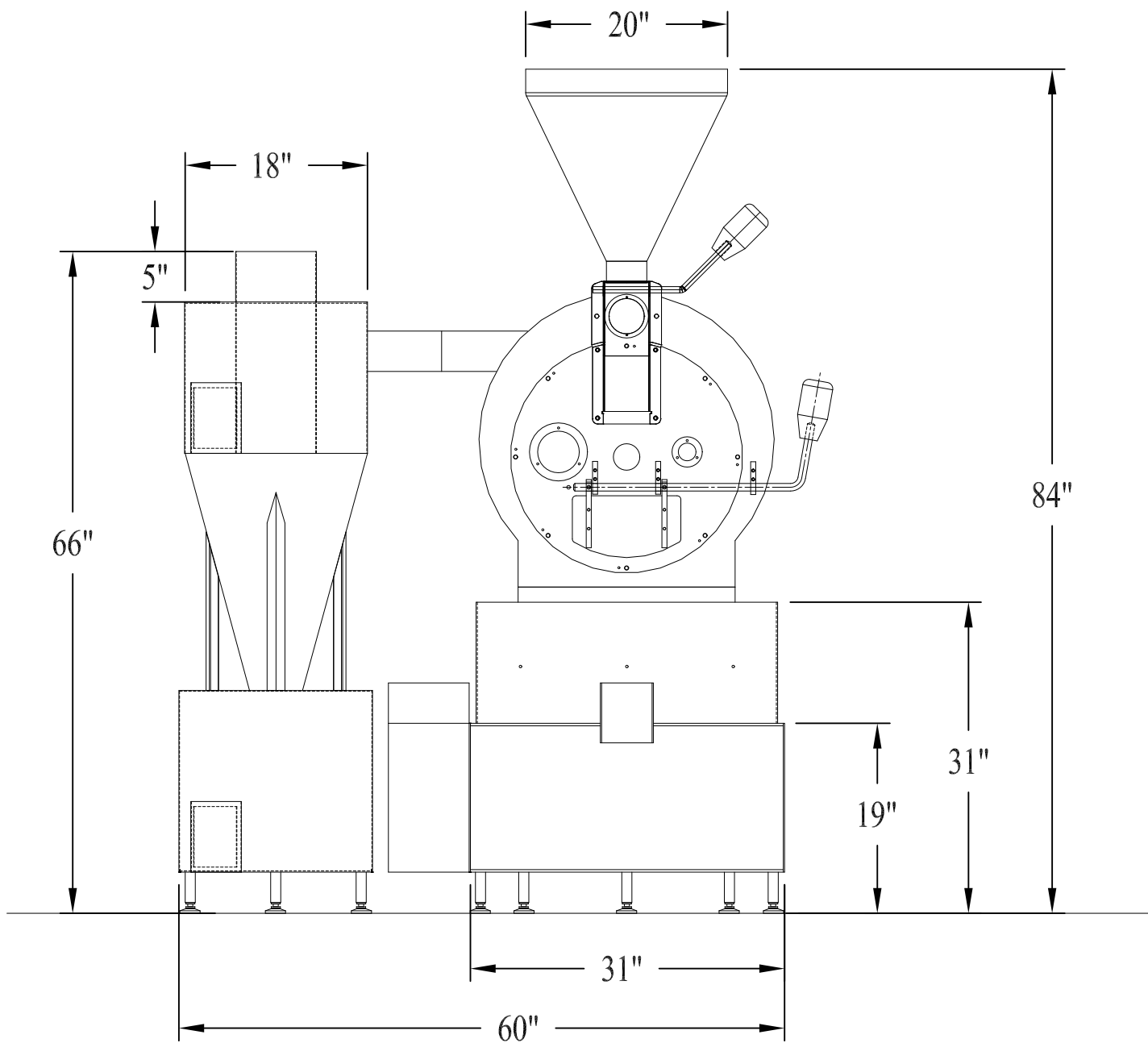


This drawing is property of Roasters Exchange (U.S. Roaster Corp) and is intended for the sole use of the intended recipient(s). If you are not an intended recipient you should not read, copy, disclose, circulate or in any other way use this information. The information contained in this transmission may be confidential and /or privileged. If you have received this transmission in error, please notify the sender immediately and delete this transmission, including any attachments.

A	NEW DRAWING	RLS 08/01/07
LET	REVISION	SIG. - DATE



TOLERANCES: UNLESS OTHERWISE NOTED			Roasters Exchange 1530 West Main Oklahoma City, Ok 73106	DRN.BY RLS	DATE 08/01/07	TITLE 18 KILO ROASTER W/ CYCLONE LAYOUT
DECIMAL	FRACTIONAL	ANGULAR		CKD.BY	DATE	
2 PL. ±.015	±1/32"	± 1%	APPD.BY	DATE	DRAWING NO. RE18K-001A	
3 PL. ±.005			SCALE	NO SCALE		