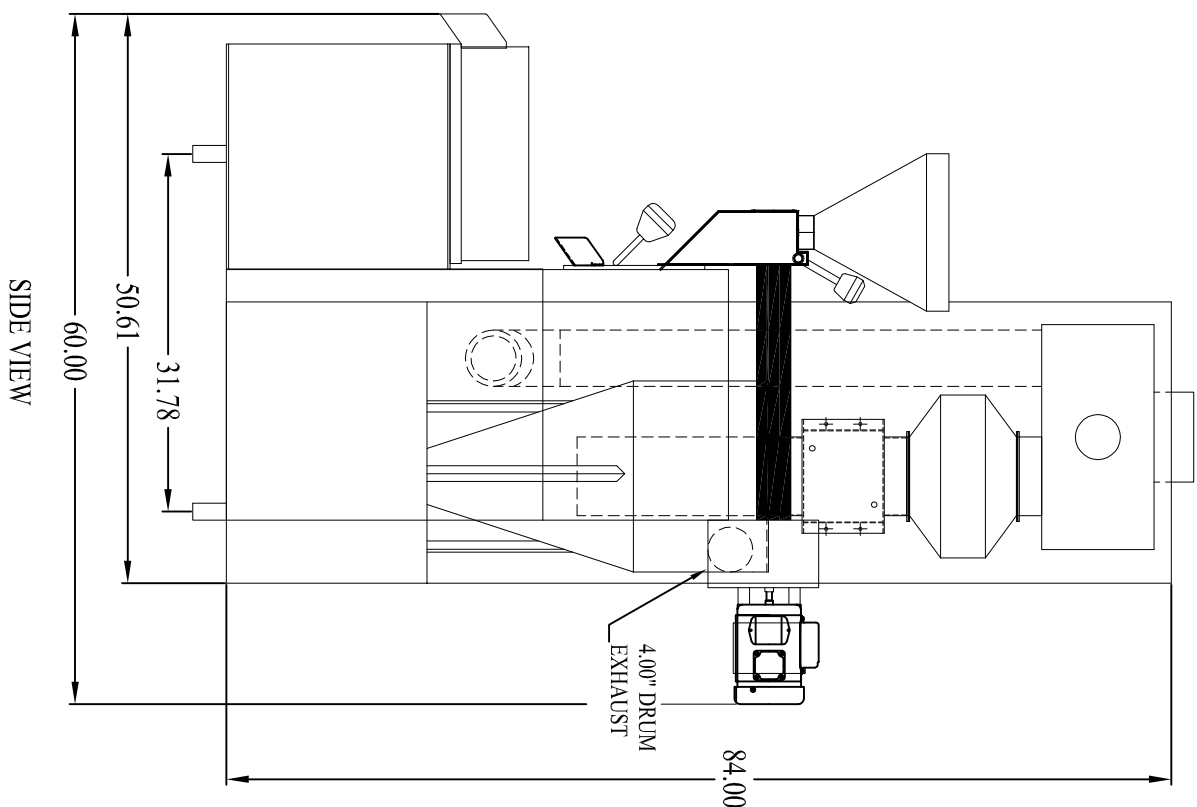
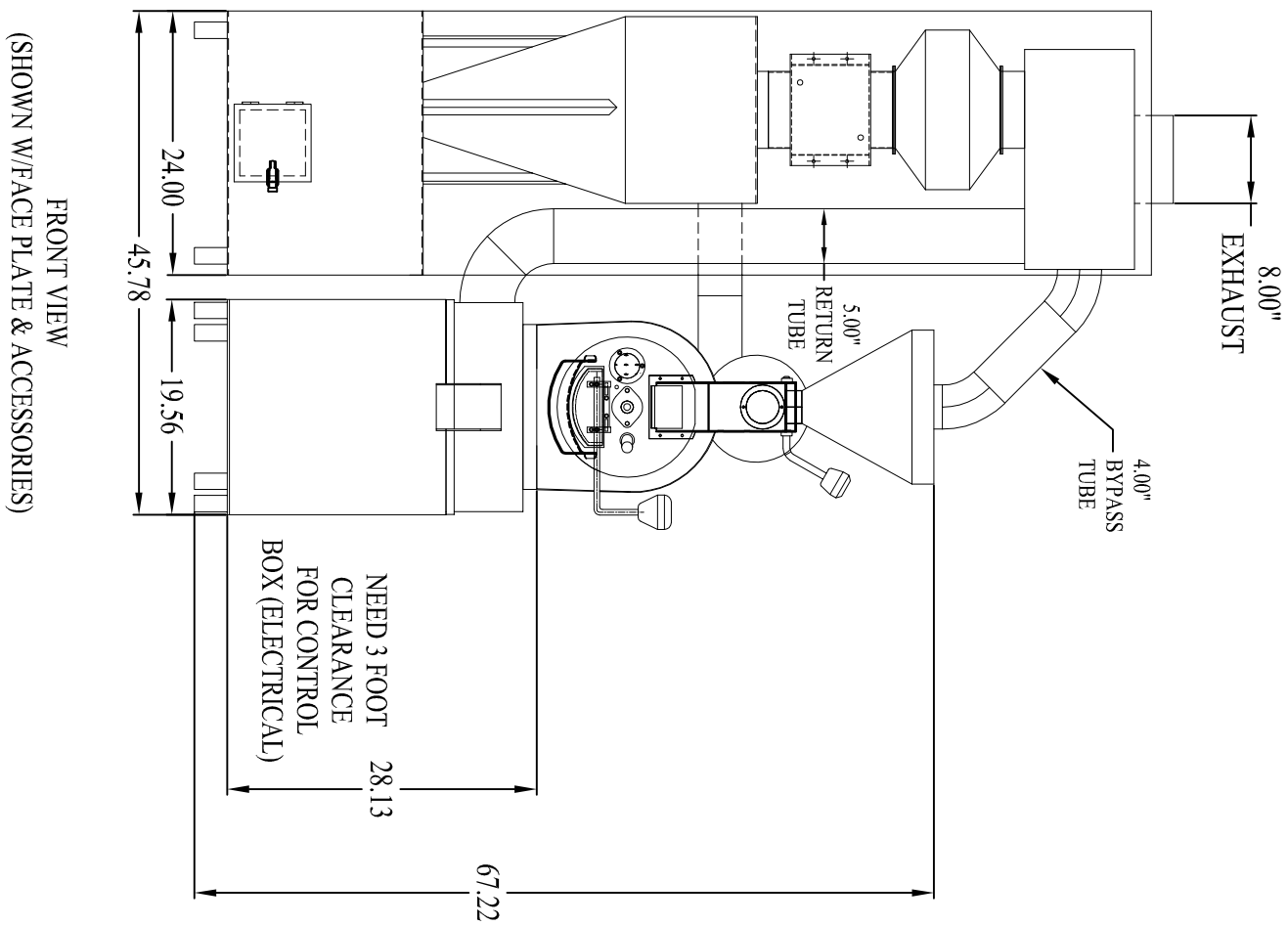


This drawing is property of Roasters Exchange (U.S. Roaster Corp) and is intended for the sole use of the intended recipient(s). If you are not an intended recipient you should not read, copy, disclose, circulate or in any other way use this information. The information contained in this transmission may be confidential and /or privileged. If you have received this transmission in error, please notify the sender immediately and delete this transmission, including any attachments.
FINAL PRODUCT MAY BE CHANGED AT ANYTIME WITHOUT NOTICE.



CUSTOMER SUPPLIED

- WATER (IF REQUIRED) _____
- AIR (IF REQUIRED) _____
- ELECTRICAL _____
- GAS _____
- GAS _____

| | | | | | | | | | | | | | | | |
|-----|--|-------------|--|--------------|--|------------------------------------|--|-------------------------|--|------------|--|---------------|--|-------------------|--|
| A | | NEW DRAWING | | RLS 03/26/09 | | TOLERANCES: UNLESS OTHERWISE NOTED | | Roasters Exchange | | DRN.BY RLS | | DATE 03/26/09 | | TITLE | |
| LET | | REVISION | | SIG. - DATE | | DECIMAL | | 1530 West Main | | CKD.BY | | DATE | | 5 KILO REVELATION | |
| | | | | | | FRACTIONAL | | Oklahoma City, Ok 73106 | | APPD.BY | | DATE | | ASSEMBLY DRAWING | |
| | | | | | | ANGULAR | | | | SCALE | | NONE | | DRAWING NO. | |
| | | | | | | ± 1/32" | | | | | | | | RE090326-000A | |
| | | | | | | ± 1% | | | | | | | | | |