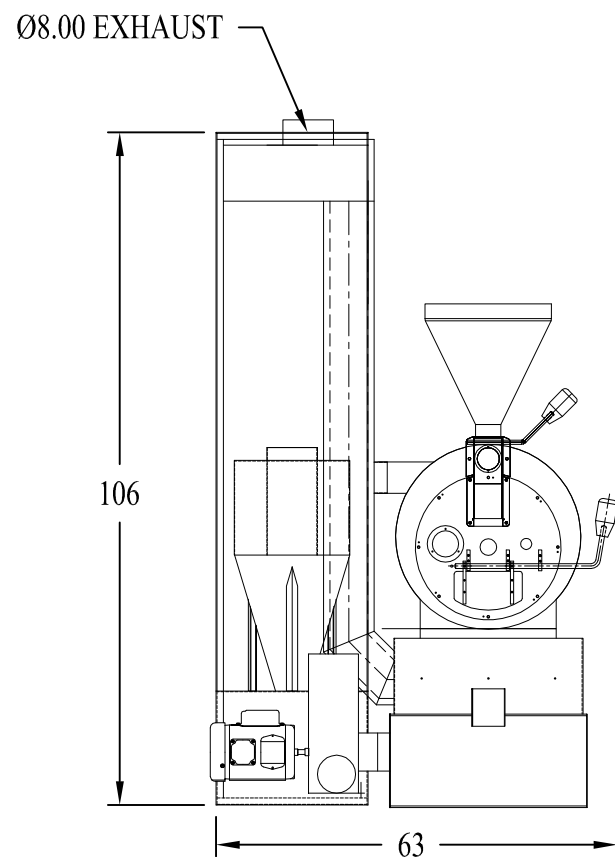
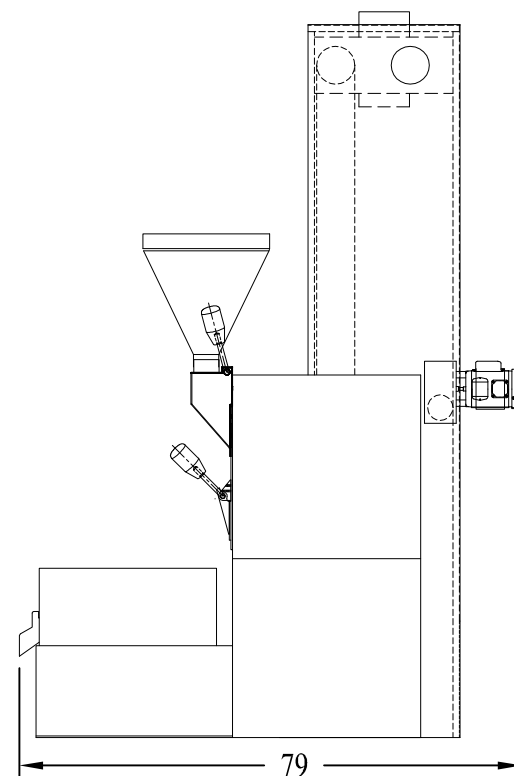


TOP VIEW



FRONT VIEW

ASSEMBLY VIEW



SIDE VIEW

— WATER (IF REQUIRED) — WATER (IF REQUIRED) —
 — AIR (IF REQUIRED) — AIR (IF REQUIRED) —
 — ELECTRICAL — ELECTRICAL —
 — GAS — GAS — GAS — GAS —

TOLERANCES: UNLESS OTHERWISE NOTED

DECIMAL	FRACTIONAL	ANGULAR
2 PL. ±.015	±1/32"	± 1%
3 PL. ±.005		

Roasters Exchange

1530 West Main
Oklahoma City, Ok 73106

DRN.BY	RLS	DATE	03/17/08
CKD.BY		DATE	
APPD.BY		DATE	

TITLE
18 KILO RECIRC ROASTER
HEAT BOX ISO ASSEMBLY

DRAWING NO.

SCALE 1.500" = 1

RE080317-000A

A	NEW DRAWING	RLS 03/17/08
LET	REVISION	SIG. - DATE